



**A1800**

Like the PL-68, this filter was designed for Residential applications. The cartridge design allows for easy installation and maintenance and comes with our standard baffle (tee). All A1800 Series filters feature a locking tab that securely locks the filter into the tee. With 1/16" filtration, this filter is available in 18" and 22" lengths. The 22" A1800 comes with a built in gas deflector.

**Patented Inside Out flow**

Zabel's patented flow reduces the trapping of solids in the filter by allowing them to slough off and fall back into the tank for further digestion.

Slots rather than mesh screens provide less surface area for solids to attach and promote the sloughing action. Independent research has shown the Zabel A1800<sup>TM</sup> Series Filters reduce TSS by 40% in residential applications.



**Outdoor Smart Filter Alarm**

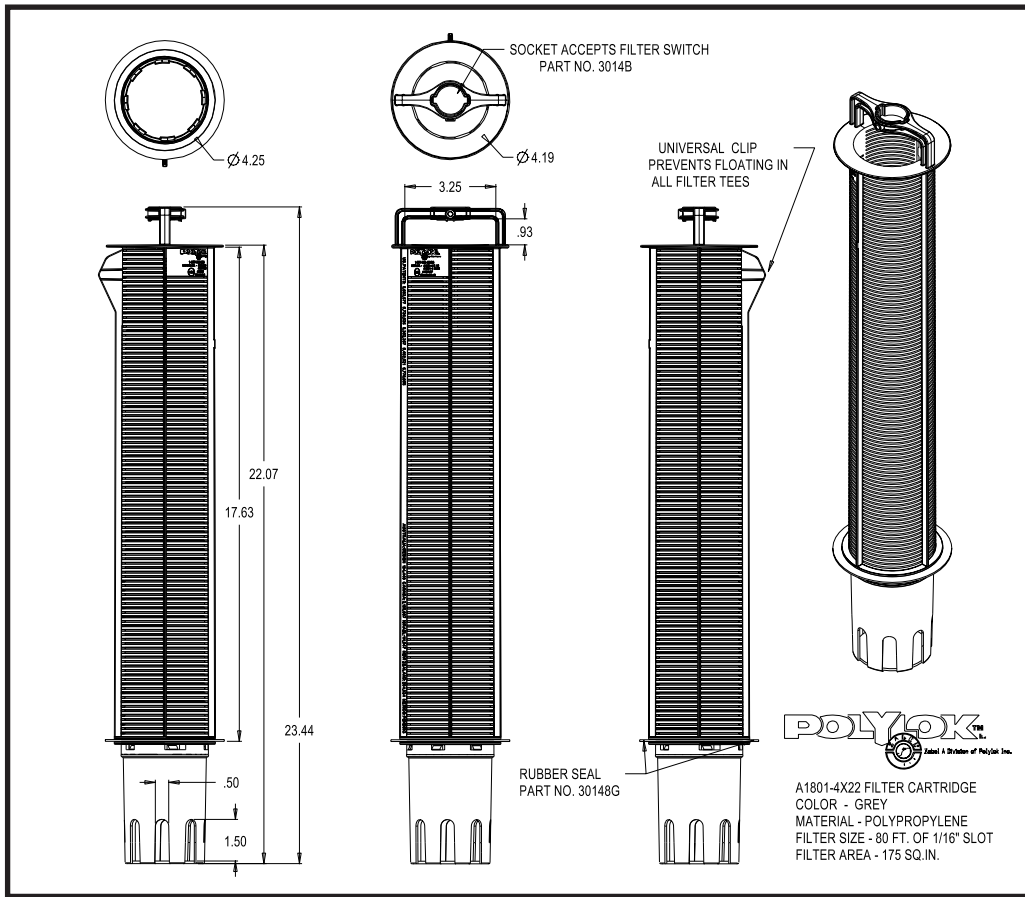
All Polylok/Zabel filters accept the SmartFilter® switch and alarm.

Our 4x18 and 4x22 filters can be used with ANY tee, including our PL-68 tee and our Versa-tees.

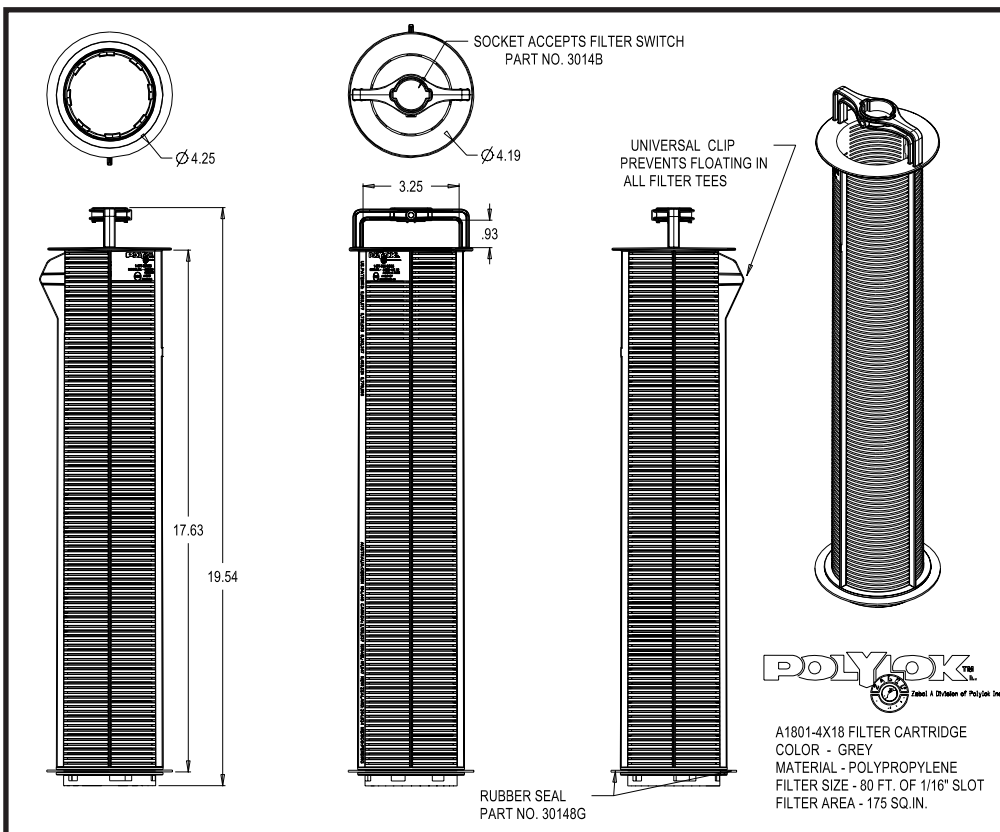


- New One Piece Design**
- Filters are no longer snapped together
  - Won't break when servicing
  - Now made of PolyPro for extra strength

# A1801- 4 x 22 CARTRIDGE



# A1801- 4 x 18 CARTRIDGE



# GDS-VT VERSA-TEE

ASSEMBLED TEES  
PART NO. GDS-VT-B35 (SDR 35)  
GDS-VT-B40 (SCHD 40)

VERSATEE  
PART NO. GDS-VT

**POLYLOK**™  
Zabel A Division of Polylok Inc.

# BEST 10" FILTER

**BEST TECHNOLOGY  
10" FILTER CASE AND CARTRIDGE**  
PART NO'S. GF10-8  
GF10-16  
GF10-32

FILTER PLATE  
5,8 FT. OF FILTRATION  
PER FILTER PLATE

SOCKET IN HANDLE ACCEPTS  
1" SCHD. 40 PIPE.

4" SCHD 40 SOCKET

11,17 DIA.

OPTIONAL WALL SUPPORT  
1" SCHD 40 SOCKET

OPTIONAL HANDLE EXTENSION  
AVAILABLE FOR 1" SCHD 40 PIPE  
PART NO. - 3014-H FILTER HANDLE

8,66 17,86 21,48 11,17

11,97

19,57 19,57 19,04

GF10-8  
16 FILTER PLATES  
92,93 FT OF 1/8" FILTRATION

GF10-16  
17 FILTER PLATES  
98,74 FT OF 1/16" FILTRATION

GF10-32  
17 FILTER PLATES  
98,74 FT OF 1/32" FILTRATION